



# TRANSITIONS® Angled Entry Mat

## Technical Specifications

USAGE GUIDELINES (RISE)	1/2"	3/4"	1"	1-1/4"	1-1/2"	1-3/4"	2"	2-1/4"	2-1/2"
USABLE SIZE (H x L x W)	1/2" x 3" x 36-1/16"	3/4" x 5-3/4" x 36-1/16"	1" x 8-1/2" x 36-1/16"	1-1/4" x 11-1/4" x 36-1/16"	1-1/2" x 14" x 36-1/16"	1-3/4" x 16-3/4" x 36-1/16"	2" x 19-1/2" x 36-1/16"	2-1/4" x 22-1/4" x 36-1/16"	2-1/2" x 25" x 36-1/16"
OVERALL SIZE (H x L x W)	1/2" x 3" x 36-7/8"	3/4" x 5-3/4" x 37-5/8"	1" x 8-1/2" x 38-3/8"	1-1/4" x 11-1/4" x 39-1/8"	1-1/2" x 14" x 39-7/8"	1-3/4" x 16-3/4" x 40-5/8"	2" x 19-1/2" x 41-3/8"	2-1/4" x 22-1/4" x 42-1/8"	2-1/2" x 25" x 42-7/8"
WEIGHT (BLANK)	2 lbs.	4 lbs.	7 lbs.	11 lbs.	18 lbs.	21 lbs.	29 lbs.	38 lbs.	49 lbs.
WEIGHT (WELCOME)	N/A	N/A							
AVAILABLE STYLES	Blank	Blank	Blank or Welcome	Blank or Welcome	Blank or Welcome	Blank or Welcome	Blank or Welcome	Blank or Welcome	Blank or Welcome
AVAILABLE COLORS	Black or Grey								
WEIGHT CAPACITY (DO NOT EXCEED)	850 lbs.								
MADE FROM RECYCLED RUBBER	✓								
SLIP-RESISTANT SURFACE	✓								
COUNTRY OF ORIGIN	USA								
WARRANTY	Lifetime Limited								

- Weights and dimensions are approximate and subject to change.

- If using with mobility equipment, refer to your mobility equipment's owner guide for acceptable usage, including proper slope/incline, chair direction, etc.; never exceed its recommendations.

- The following drawings illustrate the dimensions for each mat size in the Blank style only. The Welcome style features an additional "WELCOME" inlay.

LIFETIME LIMITED WARRANTY. Please register at [www.ezaccess.com/product-registration](http://www.ezaccess.com/product-registration).

© EZ-ACCESS®, a division of Homecare Products, Inc. All rights reserved.

All text and images contained in this document are proprietary and may not be shared, modified, distributed, reproduced, or reused without the express written permission of EZ-ACCESS.



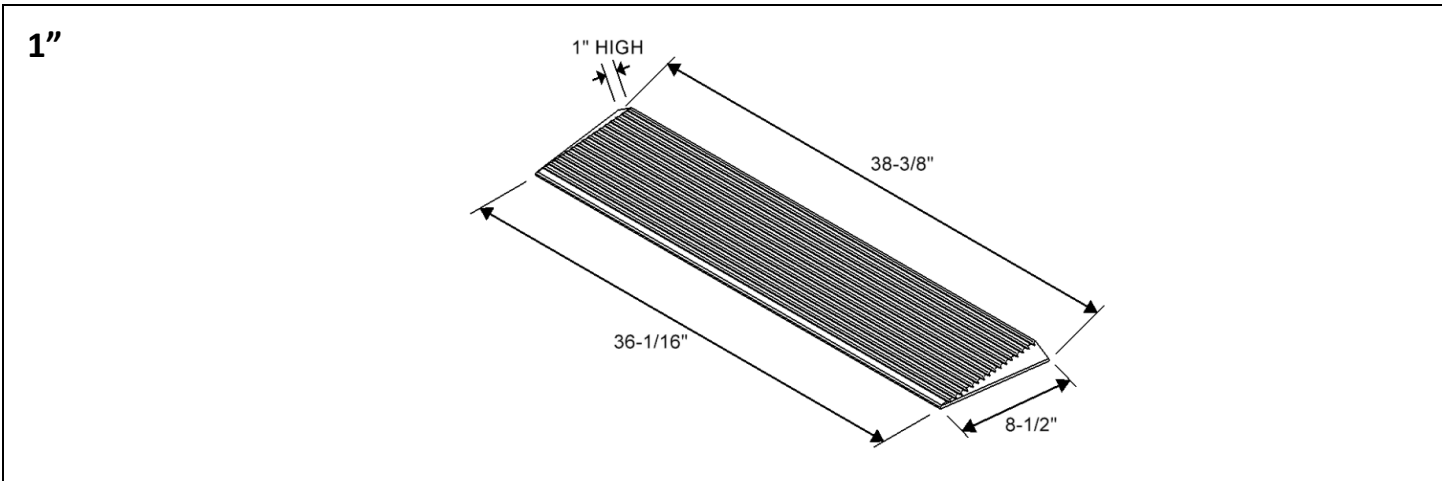
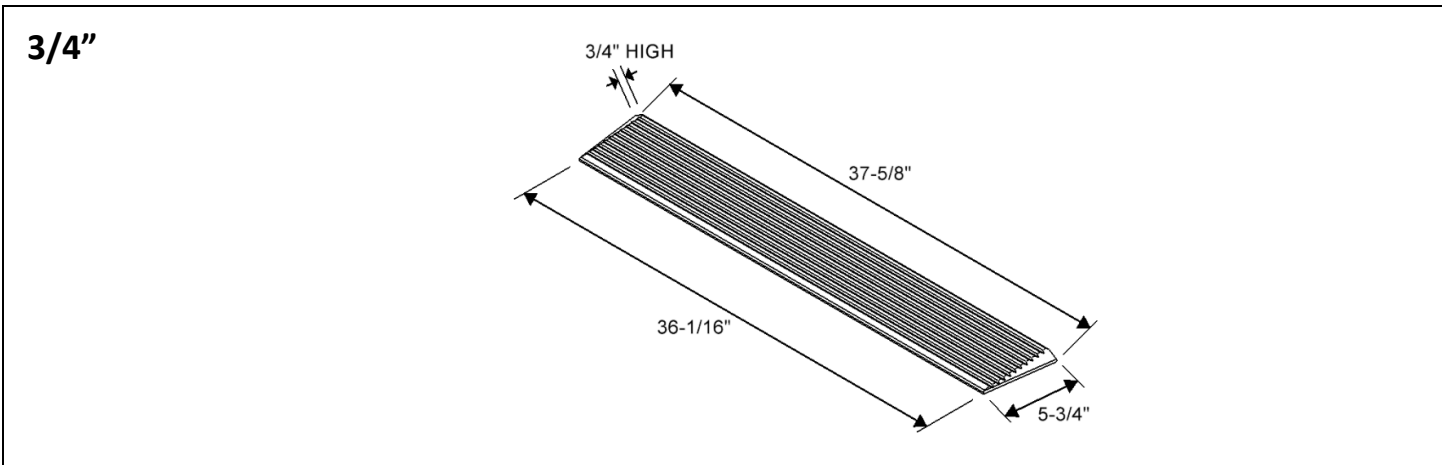
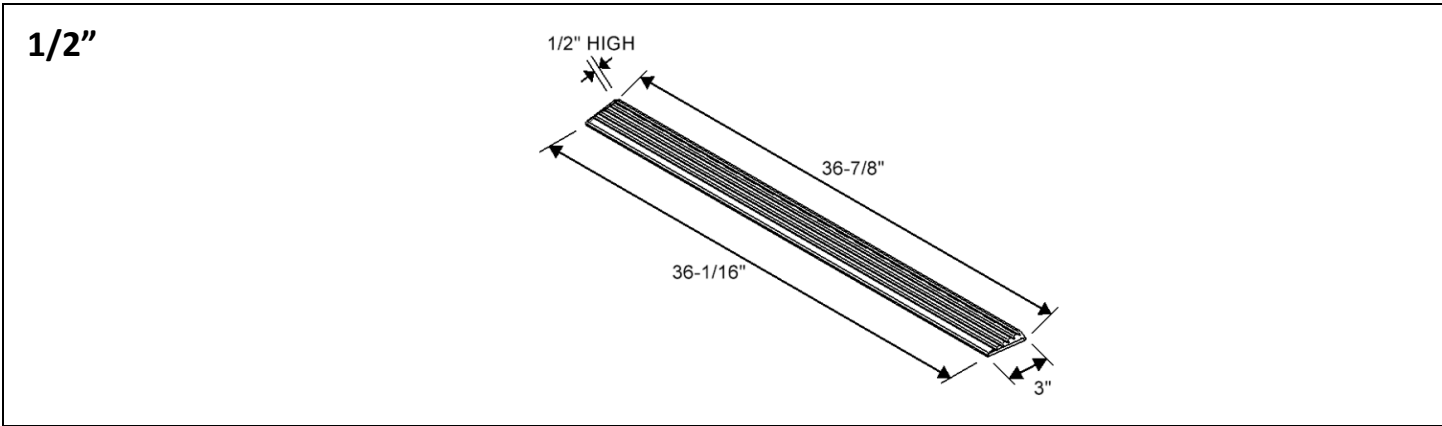
Manufactured in the USA

20584 REV 09-02-2025





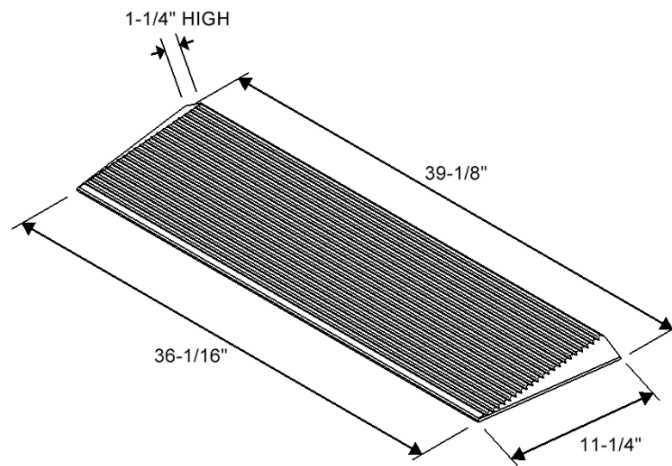
# TRANSITIONS® Angled Entry Mat Technical Specifications



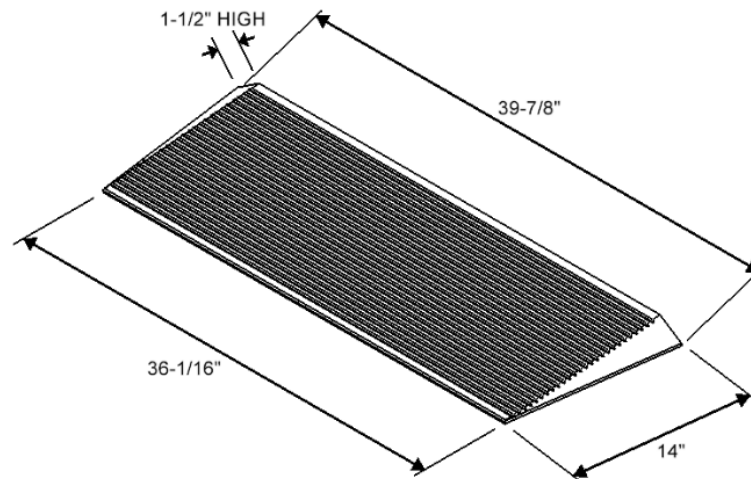


# TRANSITIONS® Angled Entry Mat Technical Specifications

**1-1/4"**

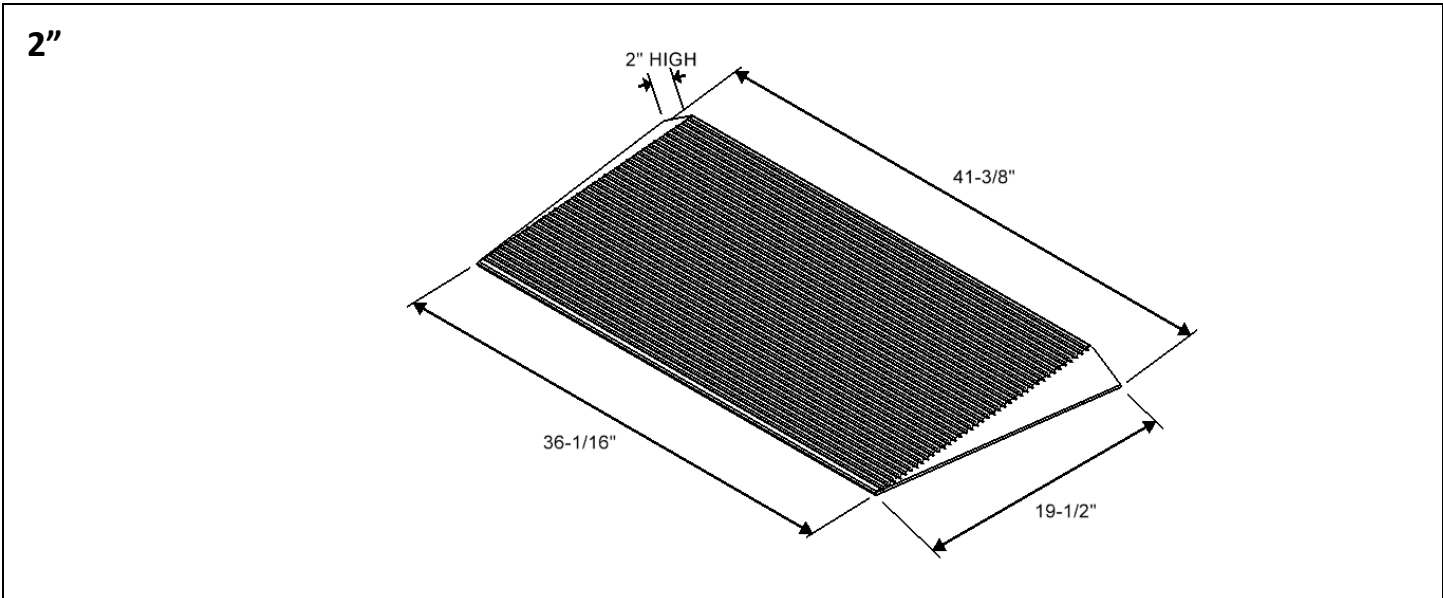
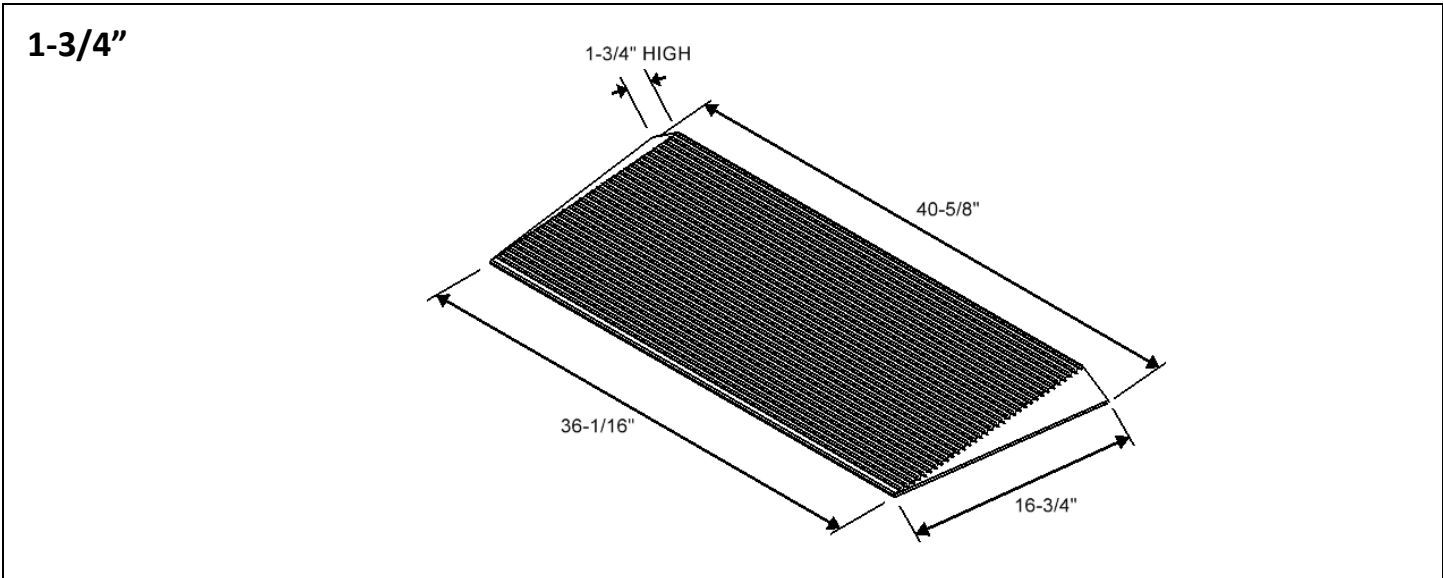


**1-1/2"**





# TRANSITIONS® Angled Entry Mat Technical Specifications





# TRANSITIONS® Angled Entry Mat Technical Specifications

